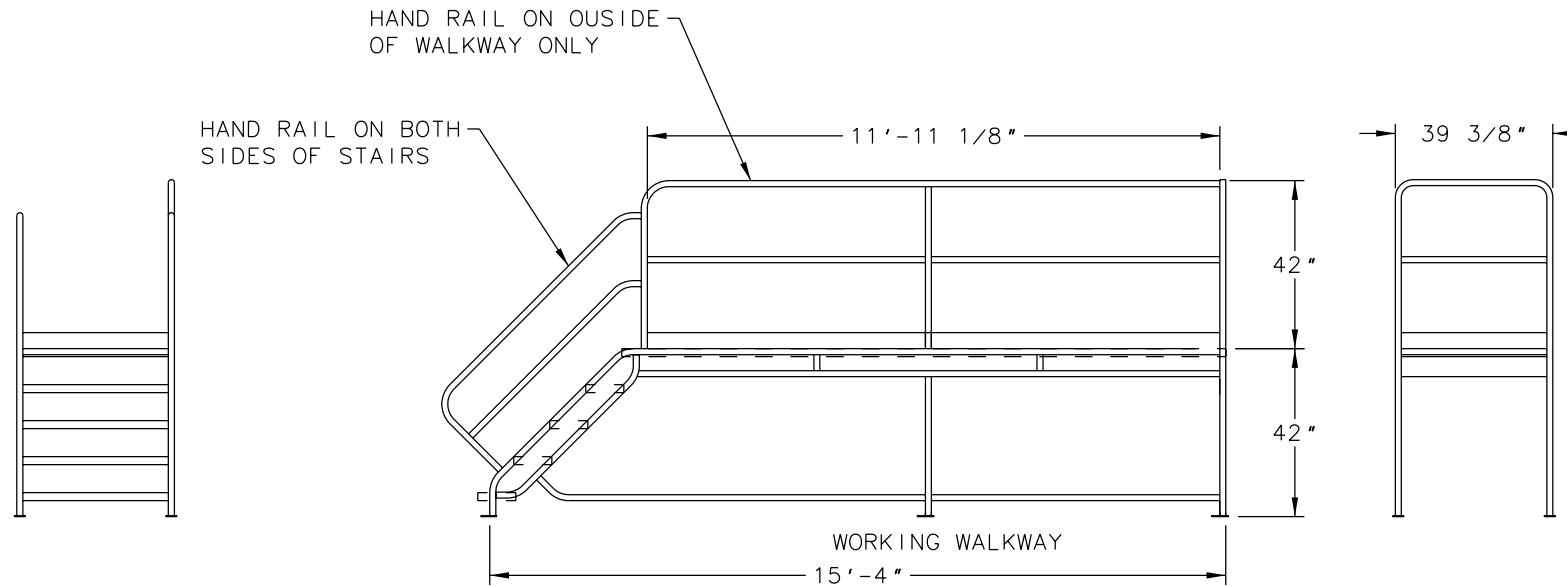
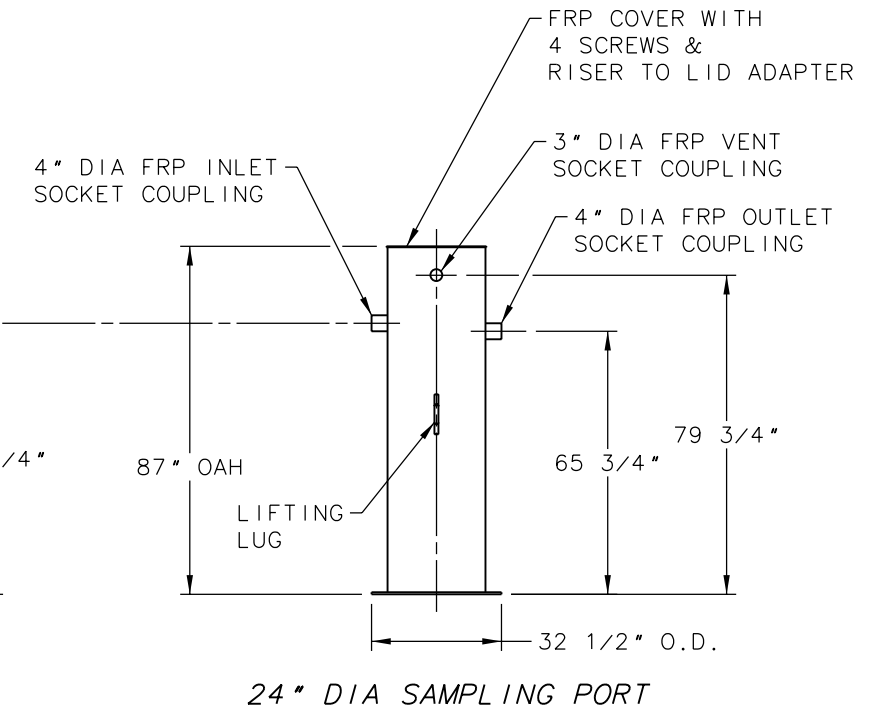
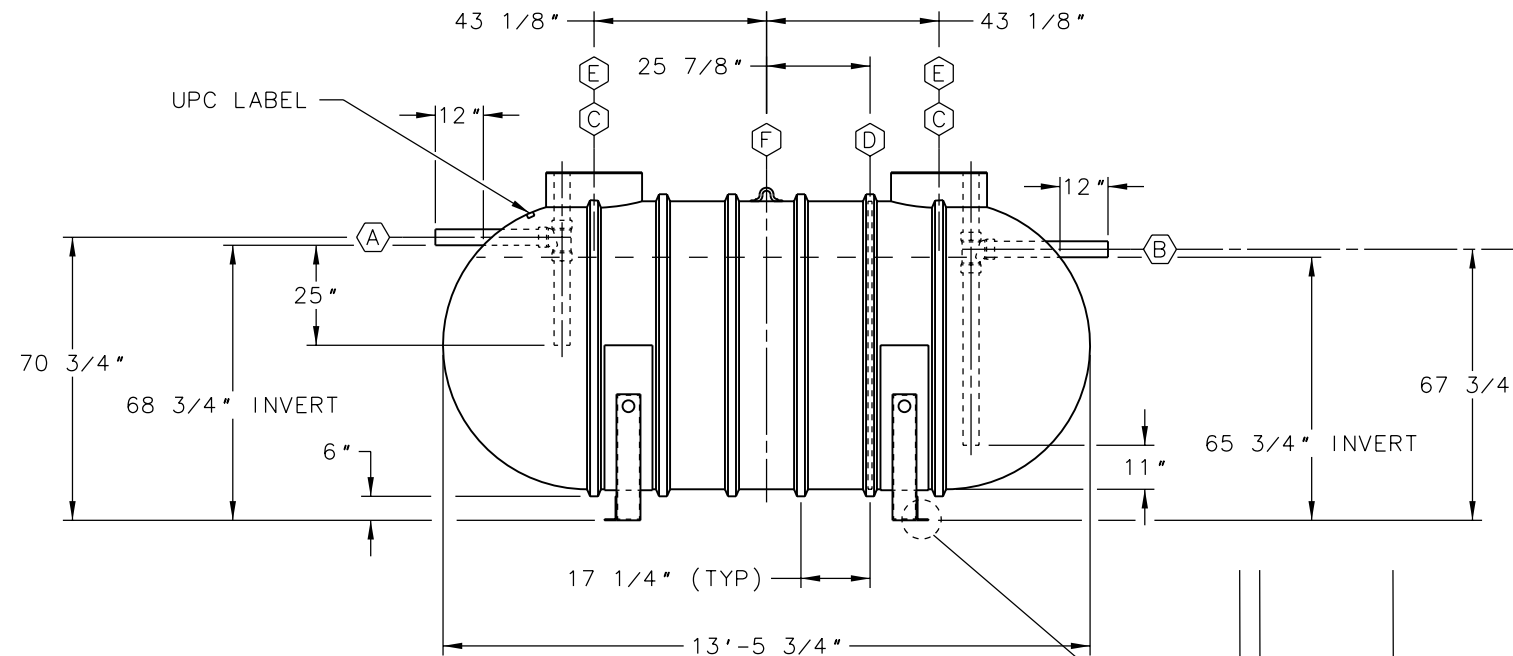
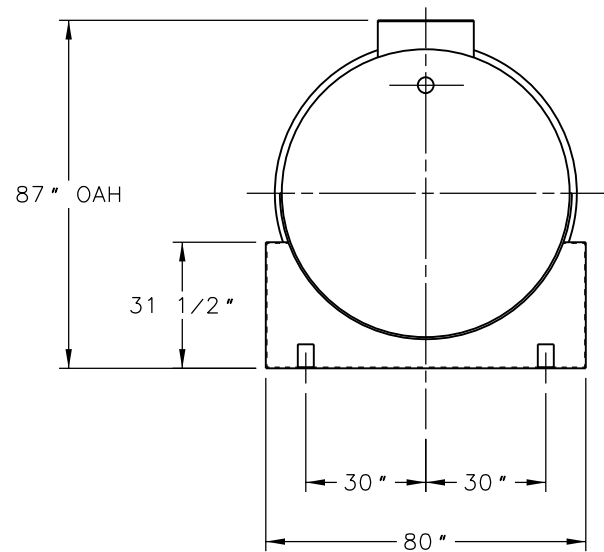


BAFFLE DETAIL

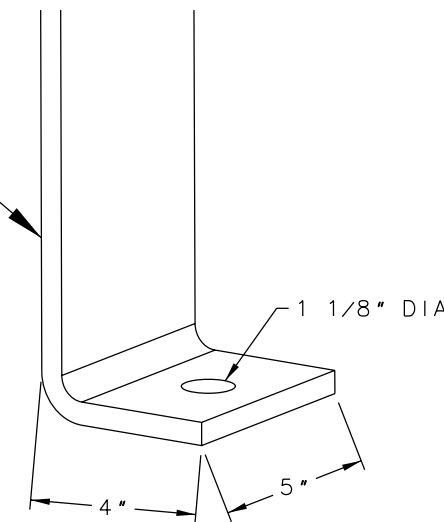


NOTE:

- 1 - TANK USAGE: GREASE INTERCEPTOR.
- 2 - INVERT PIPE DIMENSIONS FROM GRADE.
- 3 - UPC LABEL IS LAMINATED ONTO INLET SIDE OF TANK.
- 4 - TANK & SAMPLE PORT EXTERIOR SURFACE FINISHED WITH GRAY GEL COAT.
- 5 - SADDLE TO BE FIELD FILLED WITH CONCRETE.



24" DIA SAMPLING PORT



ANCHOR LUG DETAIL
SCALE: 1/2
(2 PER SADDLE)

RATED CAPACITY - 1,981 GALLONS

ITEM	QTY	DESCRIPTION
(A)	1	4"DIA SCH 40 PVC INLET PIPE WITH INTERNAL SANITARY TEE & PIPES
(B)	1	4"DIA SCH 40 PVC OUTLET PIPE WITH INTERNAL SANITARY TEE & PIPES
(C)	2	RISER PIPE, FOR 24"(NOMINAL) ACCESS OPENING
(D)	1	FULL PLATE BAFFLE WITH 3 - 4"DIA HOLES & 1 - 4"DIA VENT HOLE
(E)	2	ORENCO FRP LID ADAPTER & COVER
(F)	1	LIFTING LUG

XERXES
a zcl company

TITLE 6' DIA SINGLE-WALL ABOVE GROUND
CAP. 2,000 GALLONS
IAPMO - ANSI Z1001

DATE 1-12 DR. NO. S11-651.00